

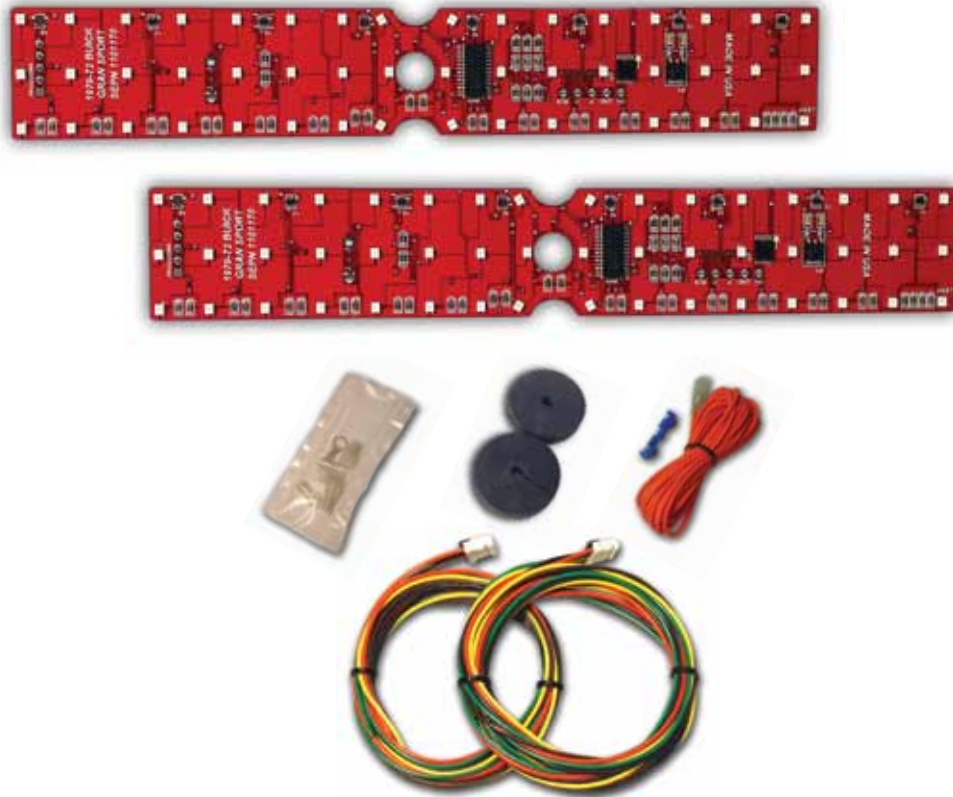
DIGI-TAILS

DIGITAL TAILLIGHTS

Sequential LED Tail Light Kit Installation Guide

1970-72 BUICK SKYLARK/GS

PN 1101170



Please refer to Invoice for full warranty information
DIGI-TAILS is not a licensed GM product

Note

The LED boards are shipped with the slide switch set to sequential mode. It is recommended that slide switches on all the LED boards be set to the same setting. (either standard or sequential). Please follow all local laws concerning exterior lighting.



(Shown in sequential mode)

LED CIRCUIT BOARD INSTALLATION

1

Remove the negative terminal from the battery to cut off all power in your car. Press on the brake pedal to verify that your brake lights are not lighting up.

2

Remove the light sockets from the taillight housings (turn them counter clockwise). As a safety precaution, remove the bulbs out of the sockets and put them away. They will no longer be needed. Remove the taillight lens. Removal of the taillight housing assembly from the car may be required.

3

Each LED panel is marked Driver and Passenger side. Test fit them into place. Once the fit is satisfactory, proceed with wiring.



Passenger Side marking

LED panel should fit snug inside the housing. The lens will keep the LED panel in place.



Wire splicing installation

Pick a point in the rear body harness between the driver's side quarter panel and the driver's side tail light housing assembly and remove the cloth tape to expose the tail light wires.

Take the LED harness **DARK GREEN** wires and splice it with the original **DARK GREEN** wires.

Take the LED harness **YELLOW** wires and splice it with the original **YELLOW** wires.

The light socket ends on the car harness are no longer needed.

Take the LED harness **BROWN** wires and splice them in with the original **BROWN** running light wires. The ends going to the side marker lights must be included in the splice for the side markers to remain functional.

Take the ground wires and connect them all together. Bolt them to the trunk latch support along with the original rear body harness ground.

Note: A good ground connection is essential to the operation of the LED tail lights.

An **ORANGE** power wire is supplied along with a T-Tap. The orange power wire must be supplied with a constant 12 volt battery supply for the LED circuitry to operate properly. The T-Tap connector is used to splice to the constant power source, like the dome light wire.

Splice the T-Tap connector into the constant power wire, then plug the orange wire into the T-Tap. The other end of the orange wire is spliced into the LED harness Orange wires.

The last page is a wire diagram of how the LED harness splices into the car's original harness.



Insert wire onto T-Tap

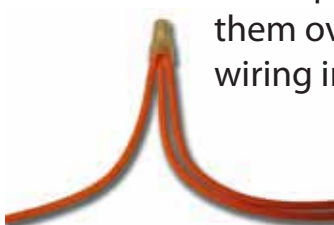


Crimp with pliers



Plug connector into T-Tap

To keep the wires neatly tucked and in line, take the spliced sections and fold them over to one side and tape them in place. This will allow you to place the wiring into loom or have the ability to wrap the LED harness wiring tightly away.



Wires spliced together.



Fold wires over to a side.



Wrap with tape to hold in place.

After all wire connections have been made, feed the extension harness through the light hole socket and plug into the LED panel. Test the brakes, running lights, and turn signals for proper operation. Set the LED panel in its final position and re-install the lens.

Place the grommet around the harness wires and press the grommet into the light socket hole. Seal closed the other socket hole with the remaining grommet. Test the lights one last time for correct function.

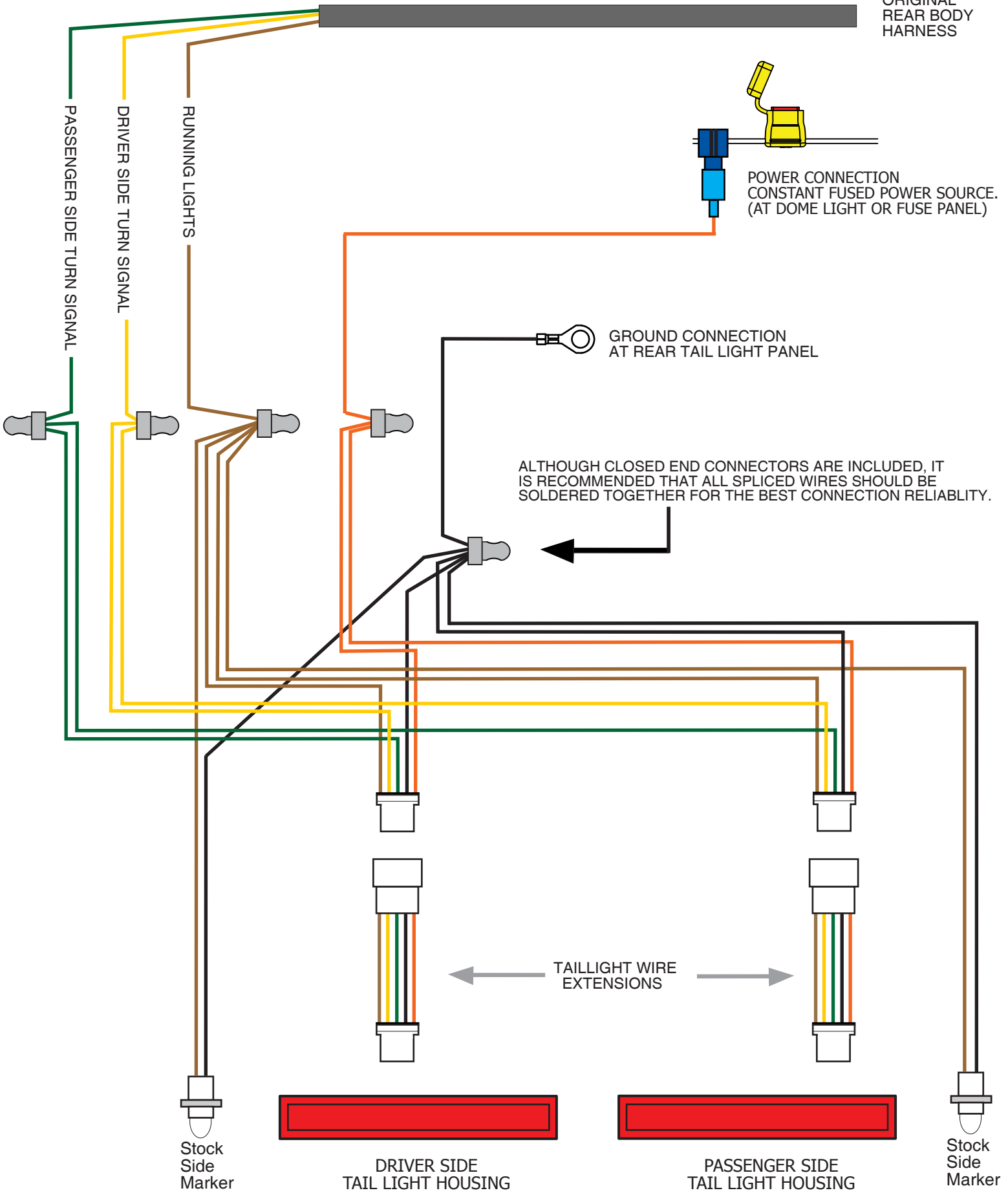
The LED light kits are designed for best performance when using an electronic no-load flasher. Shown here is an optional electronic no-load flasher (PN 200002) available from DIGI-TAILS.

When using a stock bi-metal flasher, it is recommended that a standard duty flasher be used instead of a heavy duty flasher. If your turn signal circuit includes LED turn signals in the front as well as the rear, the turn signal circuit will not have enough resistance load to operate an original bi-metal flasher and this no-load flasher will be required for both the turn signal and emergency flashers.



Black wire must be grounded

ORIGINAL
REAR BODY
HARNESS



POWER CONNECTION
CONSTANT FUSED POWER SOURCE.
(AT DOME LIGHT OR FUSE PANEL)

GROUND CONNECTION
AT REAR TAIL LIGHT PANEL

ALTHOUGH CLOSED END CONNECTORS ARE INCLUDED, IT
IS RECOMMENDED THAT ALL SPLICED WIRES SHOULD BE
SOLDERED TOGETHER FOR THE BEST CONNECTION RELIABILITY.

TAILLIGHT WIRE
EXTENSIONS

Stock
Side
Marker

DRIVER SIDE
TAIL LIGHT HOUSING

PASSENGER SIDE
TAIL LIGHT HOUSING

Stock
Side
Marker